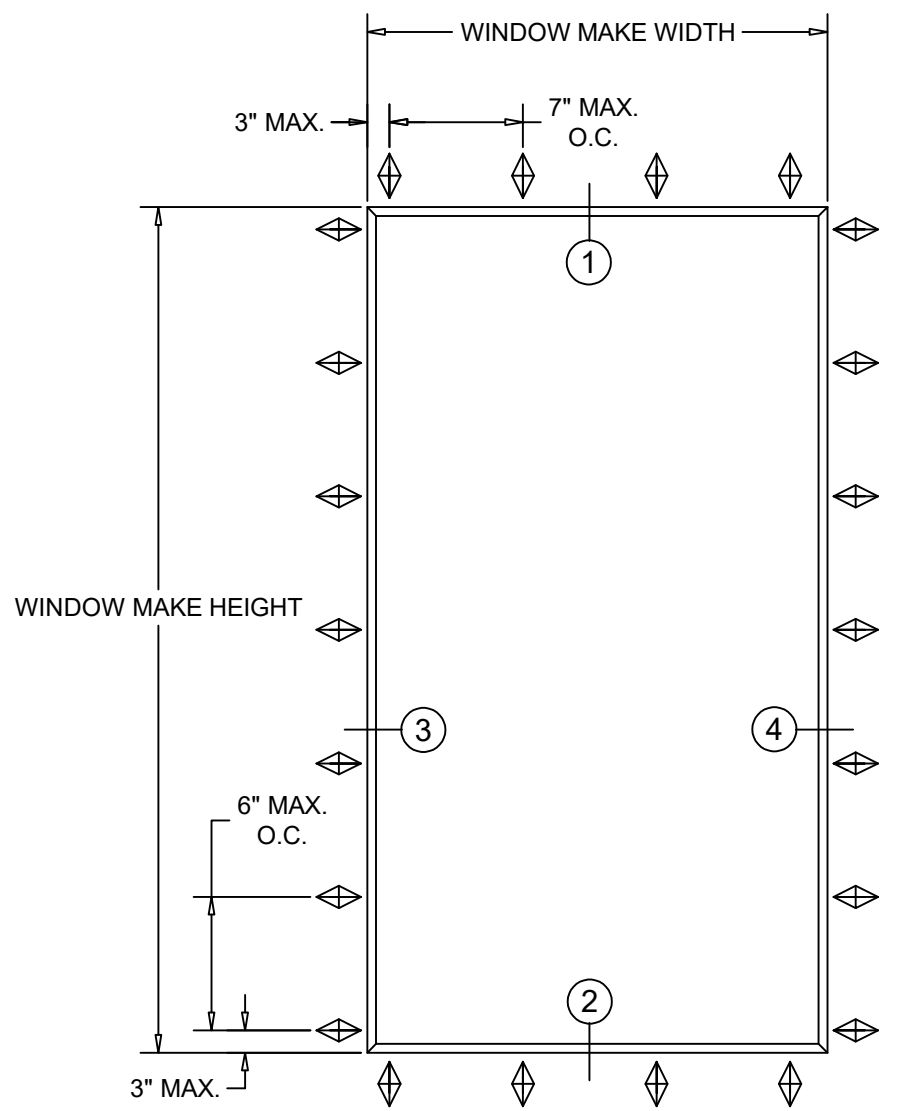


NOTE: TYPICAL C600/C605 TWO TONE FIXED WINDOW - INSTALLATION INSTRUCTIONS



Maximum				
FW	FH	DLO-W	DLO-H	Pressure
60"	99"	56 3/4"	95 3/4"	± 100 PSF

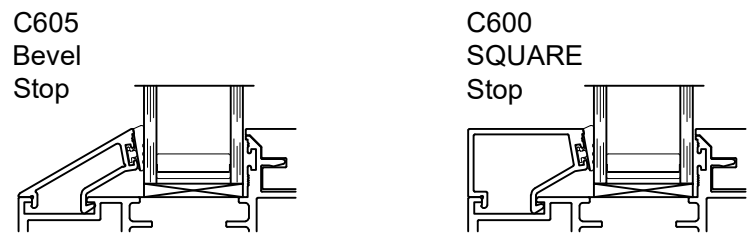
Mark A

1" Insulating Glass
Two lights 3/16" Tempered Glass
with 5/8" Spacer

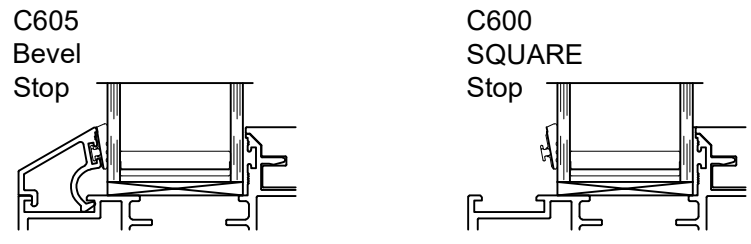
1 3/8" Insulating Glass
Two lights 3/16" Tempered Glass
with 1" Spacer

Notes:

1. Installations depicted satisfy the requirements of the 8h Edition (2023) of the Florida Building Code for Wind Pressures and Overall Sizes shown.
2. As Tested Anchor spacings are shown on the Elevations.
3. Wood Framing are assumed to Southern Pine (G=0.55) or denser.
4. Metal stud frames are assumed to be a minimum 16 gauge 33 KSI Steel.
5. Concrete masonry (CMU) shall conform to ASTM C90.
6. Concrete shall be minimum $f_c = 3,000$ psi.
7. Wood Screws shall meet requirements of ANSI/ASME B18.6.1.
8. TEKS screws shall be ASTM A510 Grade 1018 or equivalent.
9. Hilti Kwik-Con + anchors as specified in NOA 21-0628.20
10. Maximum Frame Shim Space is $\frac{1}{4}$ " as shown. Shims shall be non-compressible load bearing type.
11. Exterior and Interior shall be sealed according to Shop Drawings.
12. Products shown are NOT Impact Resistant.
13. Not for use in High Velocity Hurricane Zone (HVHZ).
14. Sealing and flashing strategies and overall water infiltration performance of the installed product are by others and not addressed by this document.



Standard 1" I.G.



Optional 1 3/8" I.G.

Project Name:

GENERAL NOTES

QUAKER WINDOW PRODUCTS WILL NOT BE RESPONSIBLE FOR FIELD MEASUREMENT, QUANTITIES, & INSTALLATION DESIGN. CONTRACTOR MUST VERIFY ALL DIMENSIONS.

PHONE (573)-744-5211
FAX (573)-744-5586

COMMERCIAL
FAX (573)-744-5822
www.quakerwindows.com

Scale: NONE

Sheet #: 1 of 4



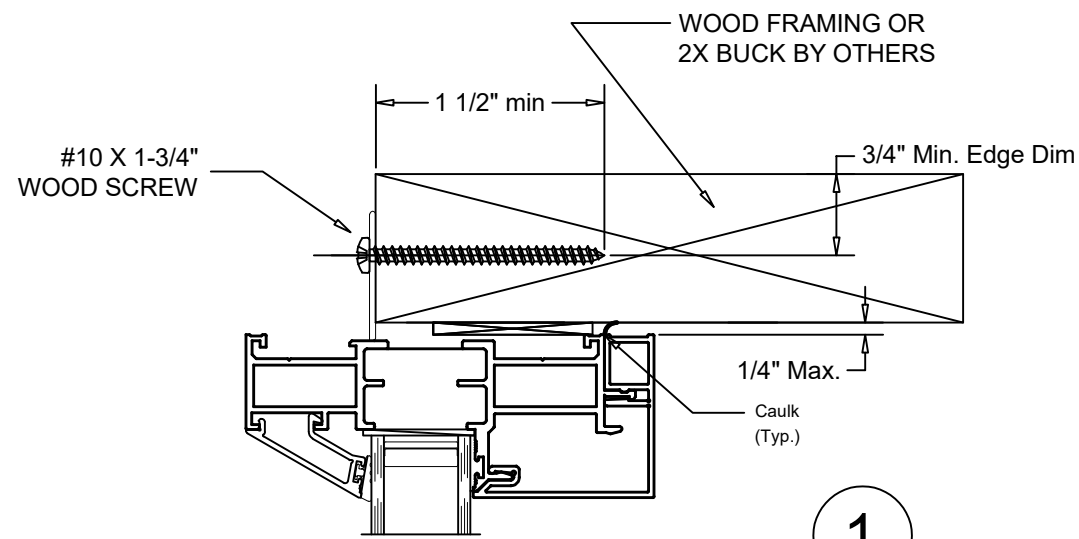
504 Highway 63 South
Freeburg, MO 65035
drafting@quakerwindows.com

Drawn By: Bud

Date: 07-10-2023

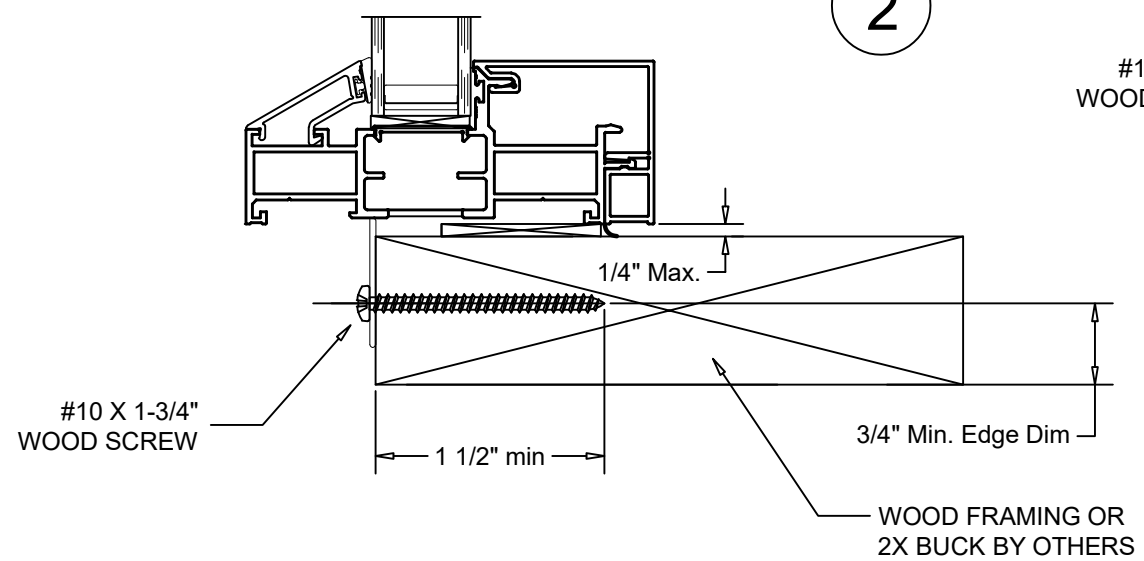
Tanya. A Dolby, P.E.
FL License No. 93536
Intertek - ATI
130 Derry Court, York PA 17406
717-764-7700

NOTE: TYPICAL C600/C605 TWO TONE FIXED WINDOW - NAIL FIN INSTALLATION

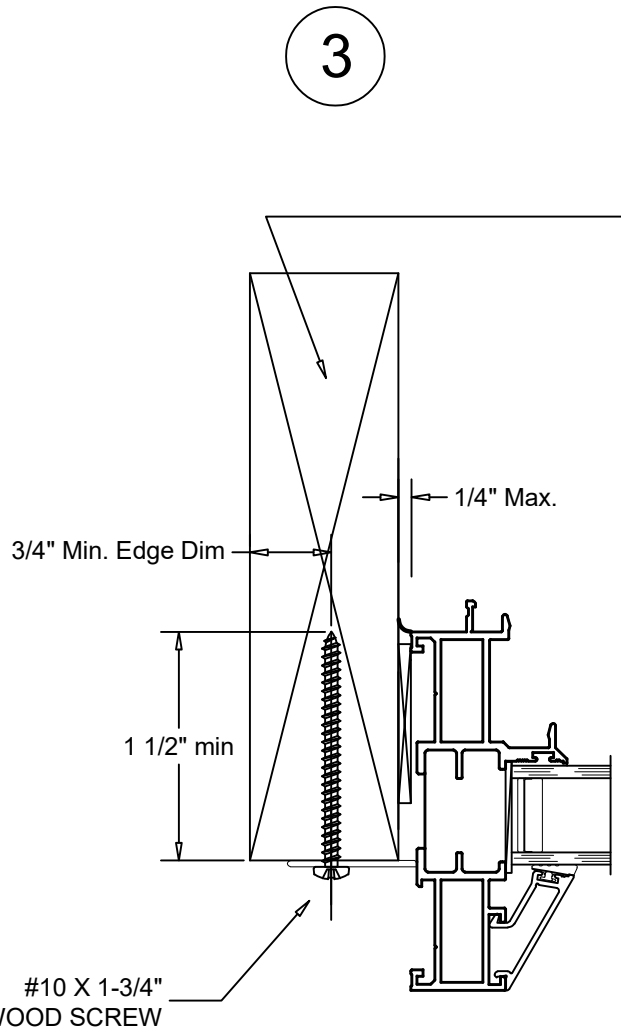


EXTERIOR

INTERIOR



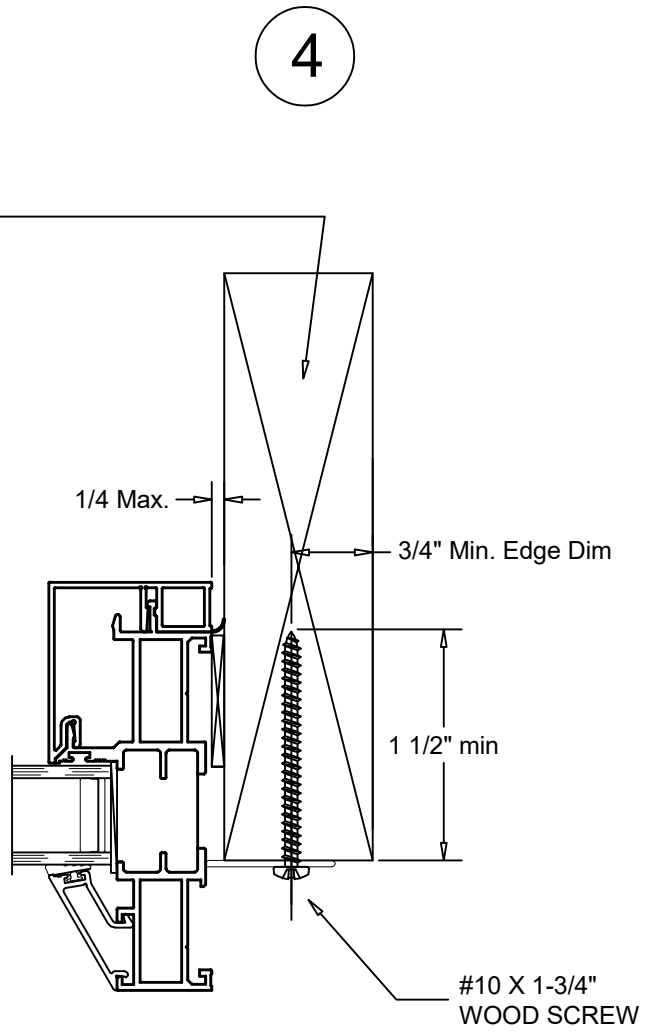
VERTICAL SECTION DETAIL
WOOD FRAMING INSTALLATION



INTERIOR

EXTERIOR

HORIZONTAL SECTION DETAIL
WOOD FRAMING INSTALLATION



Project Name:

GENERAL NOTES

QUAKER WINDOW PRODUCTS WILL NOT BE RESPONSIBLE FOR FIELD MEASUREMENT, QUANTITIES, & INSTALLATION DESIGN. CONTRACTOR MUST VERIFY ALL DIMENSIONS.

PHONE (573)-744-5211
FAX (573)-744-5586
COMMERCIAL
FAX (573)-744-5822
www.quakerwindows.com

Scale: NONE
504 Highway 63 South
Freeburg, MO 65035
drafting@quakerwindows.com

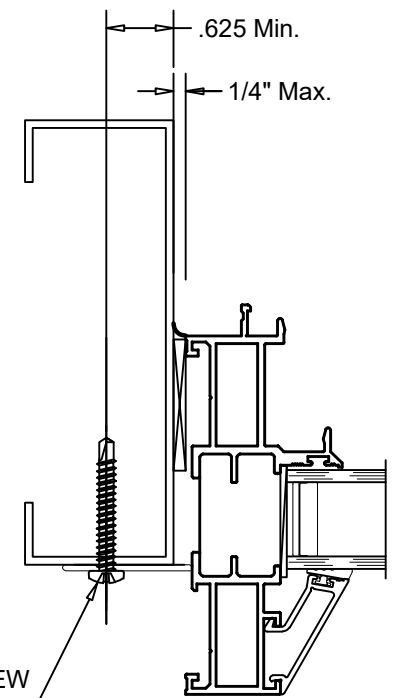
Drawn By: Bud
Date: 07-10-2023

C600/C605 FIXED
Two Tone
Installation Instructions

Tanya. A Dolby, P.E.
FL License No. 93536
Intertek - ATI
130 Derry Court, York PA 17406
717-764-7700

NOTE: TYPICAL C600/C605 TWO TONE FIXED WINDOW - NAIL FIN INSTALLATION

INTERIOR

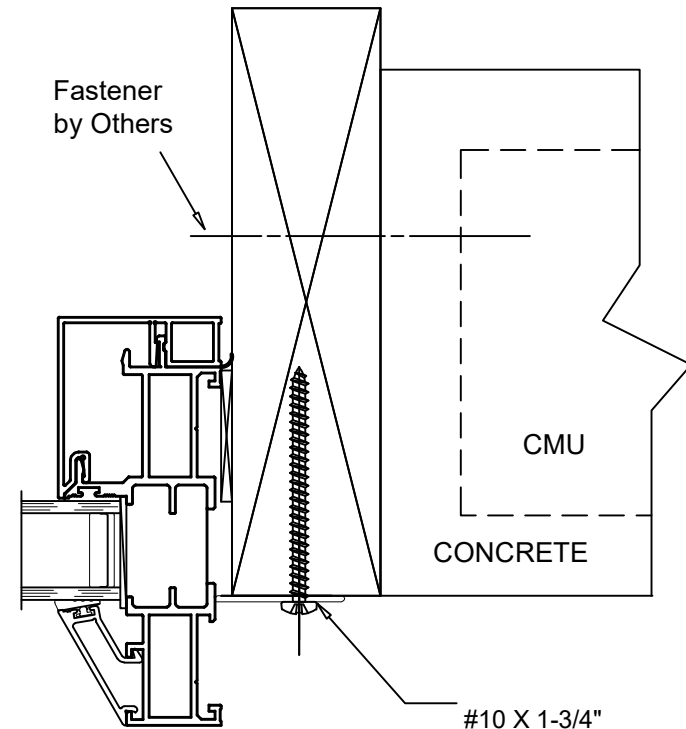


#10-16 TEKS SCREW
MIN 3 FULL THREAD
PENETRATION OF STEEL

3

EXTERIOR

5



#10 X 1-3/4"
WOOD SCREW

See Detail 4 on sheet 2 for
wood anchorage

Tanya. A Dolby, P.E.
FL License No. 93536
Intertek - ATI
130 Derry Court, York PA 17406
717-764-7700

GENERAL NOTES

Description:
QUAKER WINDOW PRODUCTS
WILL NOT BE RESPONSIBLE
FOR FIELD MEASUREMENT,
QUANTITIES, & INSTALLATION
DESIGN. CONTRACTOR MUST
VERIFY ALL DIMENSIONS.

PHONE (573)-744-5211
FAX (573)-744-5586
COMMERCIAL
FAX (573)-744-5822
www.quakerwindows.com

Scale: NONE
504 Highway 63 South
Freeburg, MO 65035
drafting@quakerwindows.com

Drawn By: Bud
Date: 07-10-2023

Project Name:

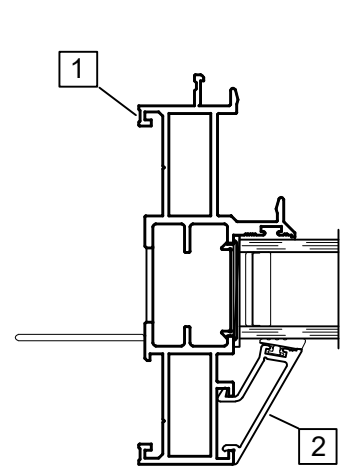
C600/C605 FIXED
Two Tone
Installation Instructions

Sheet #: 3 of 4

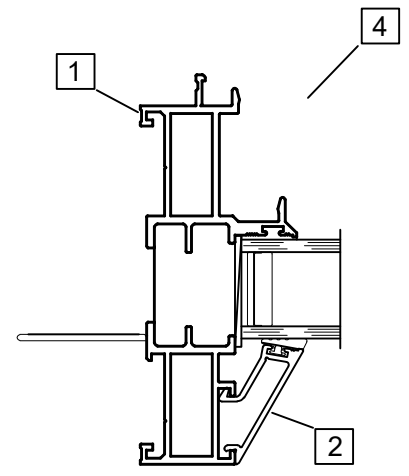
NOTE: TYPICAL C600/C605 TWO TONE FIXED WINDOW - NAIL FIN INSTALLATION

Bill of Materials				
NO.	Description	Part Number	Material	Manufacturer
1	Frame w/ Nail Fin	23015	Aluminum 6063-T6	Tower Extrusions
2	Beveled Glazing Bead	23982	Aluminum 6063-T6	Tower Extrusions
3	Square Glazing Bead	23114	Aluminum 6063-T6	Tower Extrusions
4	Fixed Frame Cladding	23014	Aluminum 6063-T6	Tower Extrusions

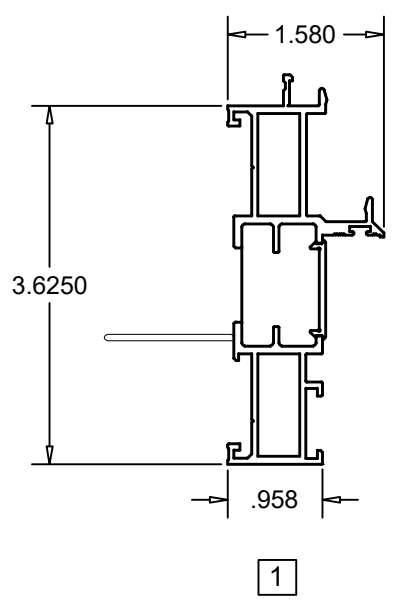
Tanya. A Dolby, P.E.
 FL License No. 93536
 Intertek - ATI
 130 Derry Court, York PA 17406
 717-764-7700



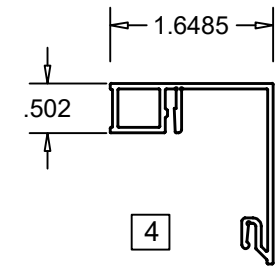
As Tested



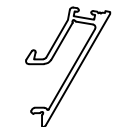
C600/C605 - Two Tone Engineering



1

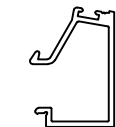


4



2

W605



3

W600

Standard 1" I.G.



2

W605



3

W600

Optional 1 3/8" I.G.

GENERAL NOTES

QUAKER WINDOW PRODUCTS
 WILL NOT BE RESPONSIBLE
 FOR FIELD MEASUREMENT,
 QUANTITIES, & INSTALLATION
 DESIGN. CONTRACTOR MUST
 VERIFY ALL DIMENSIONS.

PHONE (573)-744-5211
 FAX (573)-744-5586
QUAKER
 COMMERCIAL WINDOW AND DOOR
 FAX (573)-744-5822
 www.quakerwindows.com
 Scale: NONE
 504 Highway 63 South
 Freeburg, MO 65035
 drafting@quakerwindows.com
 Sheet #: 4 of 4
 Drawn By: Bud
 Date: 07-10-2023

Project Name:

C600/C605 FIXED
Two Tone
Installation Instructions